

High reliability high current low resistance chip forming inductor - HPBR1810 Series

## 高可靠性大电流低电阻贴片一体成型电感

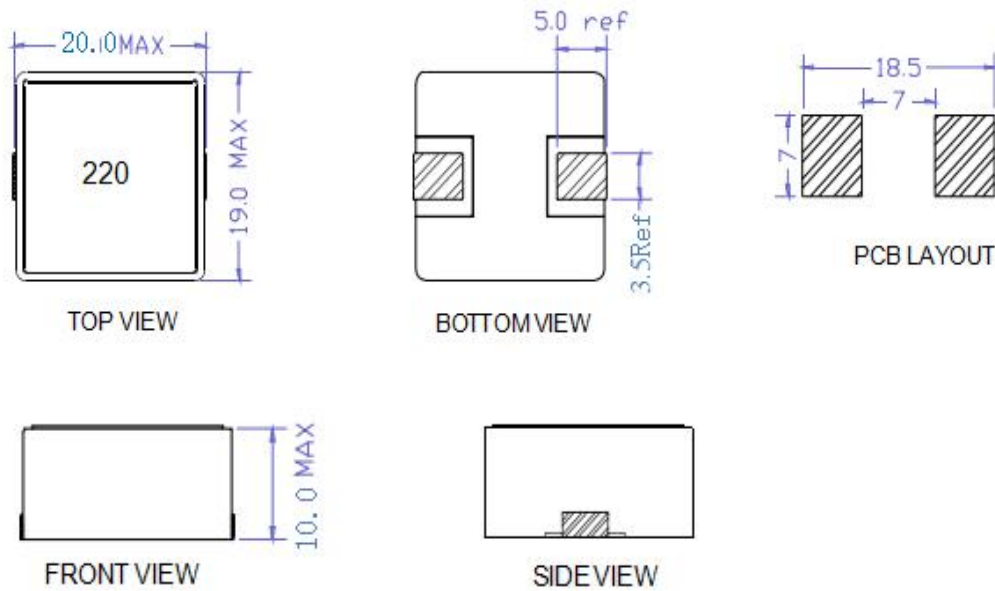


### 产品概要 Outline

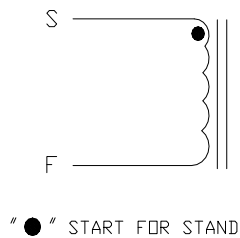
- 最适合于高可靠性、高安装密度、VRM应用等电路。  
Most suitable for circuits with high reliability, high installation density and VRM applications.
- 采用新热压工艺增强产品可靠性。  
Adopting new hot pressing process to enhance product reliability.
- 扁平线设计超大的温升电流，低直流电阻。  
Flat line design for large temperature rise current low DC resistance
- 工作温度：-60℃~+200℃（包含线圈发热）  
Operating temperature: -60℃~+200℃ (Including coil's temperature rise)



### 外观尺寸 Appearance and Dimensions (mm)



### 电气原理图 Schematic



### 电气特性 Electrical Characteristics

产品型号 Part Number	电感值 Inductance (uH) ±20%	直流电阻D. C. R (mΩ)	温升电流 Irms (A)	饱和电流 Isat (A)
		MAX		
HPBR1810-R82M	0.82	0.60	42.0	105.0
HPBR1810-1R0M	1.00	0.70	40.0	100.0
HPBR1810-1R5M	1.50	0.95	35.0	80.0
HPBR1810-2R2M	2.20	1.80	28.0	65.0
HPBR1810-3R3M	3.30	2.80	25.0	55.0
HPBR1810-4R7M	4.70	3.20	23.0	50.0
HPBR1810-5R6M	5.60	4.40	20.0	45.0
HPBR1810-6R8M	6.80	4.20	19.0	40.0
HPBR1810-8R2M	8.20	4.60	17.0	35.0
HPBR1810-100M	10.00	6.00	15.0	30.0
HPBR1810-150M	15.00	9.00	14.0	25.0
HPBR1810-220M	22.00	14.00	12.0	20.0
HPBR1810-330M	33.00	23.00	9.0	17.0
HPBR1810-470M	47.00	32.00	7.0	14.0

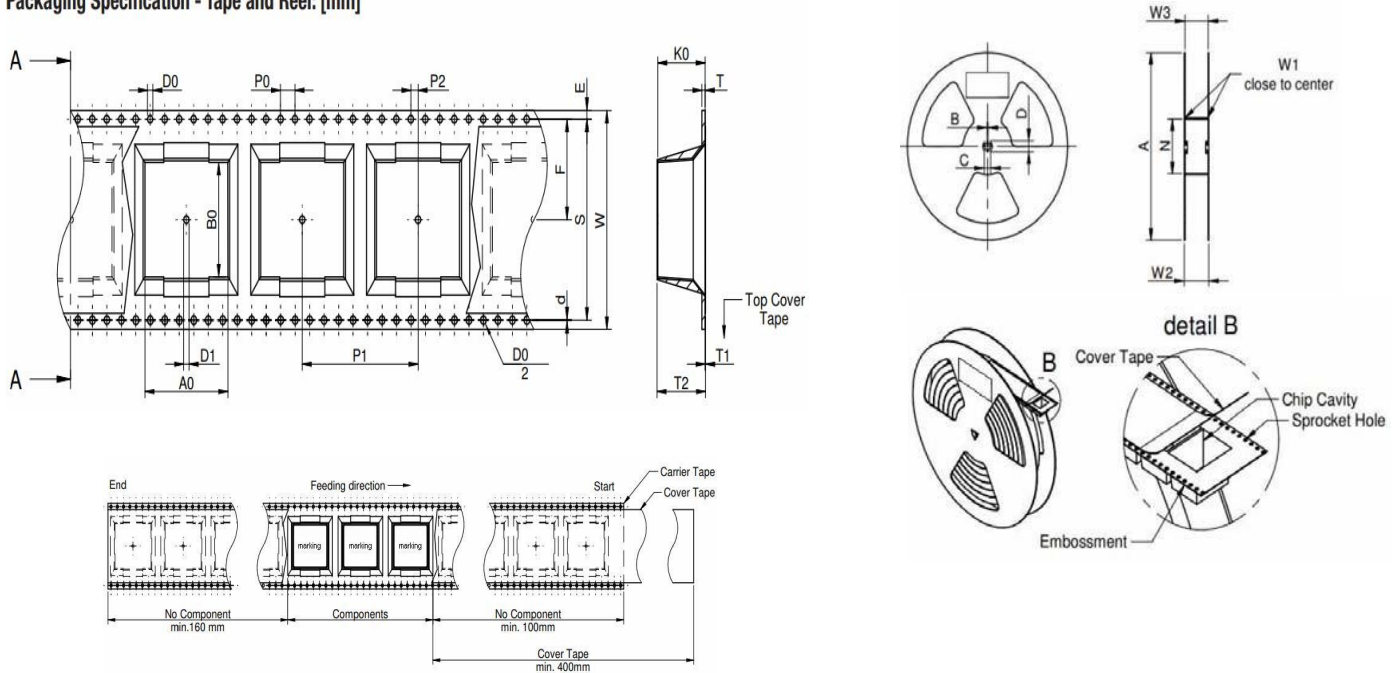
#### 注意说明 Remark

- 所有数据基于环境温度25℃条件下测试。  
All data is tested based on 25℃ ambient temperature.
- 电感测试条件为1KHz, 0.25V。  
Inductance measure condition at 1kHz, 0.25V.
- 饱和电流：电感值下降其初始值的20%时所加载的实际直流电流值。  
Saturation current: the actual value of DC current when the inductance decrease 20% as its initial value.
- 温升电流：使产品温度上升到 $\Delta T40^{\circ}\text{C}$ 时所加载的实际电流值（ $T_a=25^{\circ}\text{C}$ ）。  
Temperature rise current: the actual value of DC current when the temperature rise is  $\Delta T40^{\circ}\text{C}$  ( $T_a=25^{\circ}\text{C}$ ).
- 特别提醒：线路设计，组件布局，印刷线路板（PWB）尺寸及厚度，散热系统等均会影响产品温度。请务必在最终应用时，验证产品发热状况。  
Special remind: Circuit design, component placement, PWB size and thickness, cooling system and etc. all will affect the product temperature. Please verify the product temperature in the final application.

包装规格 Packing specification

• 包装 Packing

Packaging Specification - Tape and Reel: [mm]



• 包装箱尺寸和包装数量

Carton dimensions and packing quantity

内包装箱: 265mm\*185mm\*130mm 外包装箱: 385mm\*275mm\*170mm  
 Inner Carton Out Carton

产品系列 Product Series	数量/盘 Quantity/Tray	数量/盒 Quantity/Bundle	外箱 包装总数量 Out Carton Quantity
HPBR1810	200PCS	200PCS	(200×4) =800PCS

广州市美登电子有限公司

Guangzhou Miden Electronics Co.,LTD.

TEL: +86 020 86882980

<http://www.gzmiden.com>

ADD: 广州市花都区新华工业区红棉大道科达工业园

FAX: +86 020 86883780

<https://gzmiden.1688.com/>